

Rosewill[®]



User's Manual

Contents

■ Product Overview

Disassemble Chart ----- P.2

Accessory Box ----- P.3

■ Installation Guide

Opening Chassis ----- P.4

Installing Power Supply ----- P.4

Installing Motherboard ----- P.5

Installing Add On Card ----- P.6

Installing Fan in 5.25" bays ----- P.7

Installing External 5.25" Device ----- P.8

Installing External 3.5" Device ----- P.8

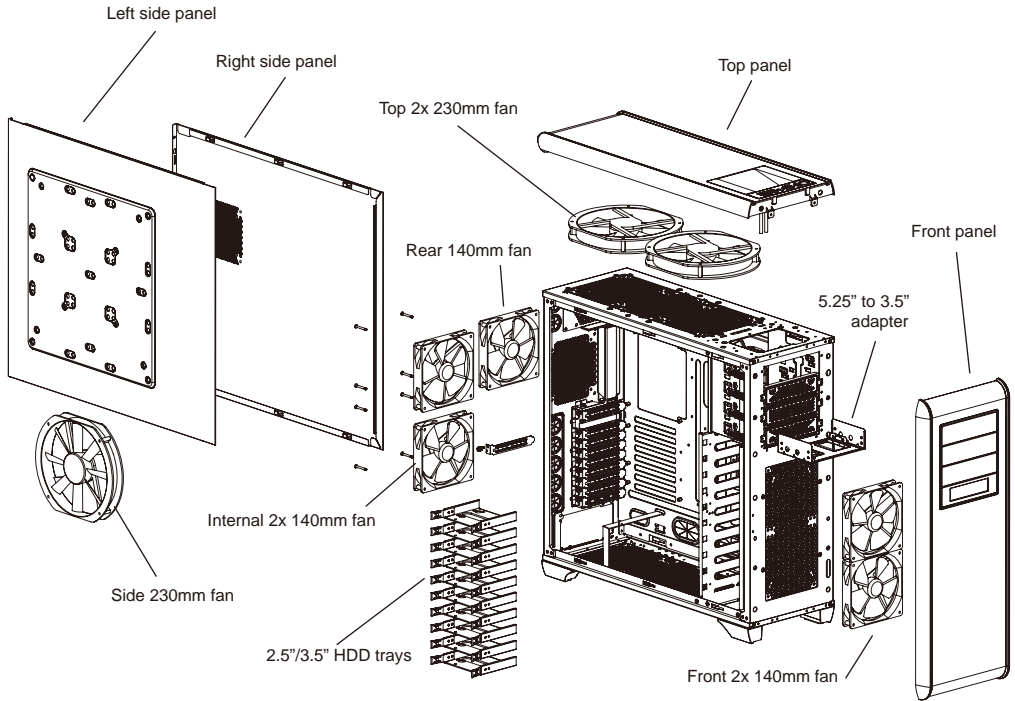
Installing 3.5"/2.5" HDD/SSD ----- P.9

Installing Side Fan ----- P.10

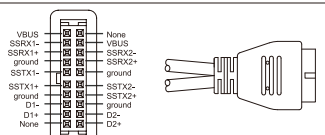
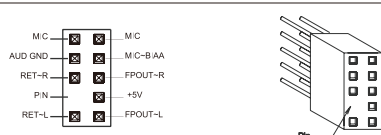
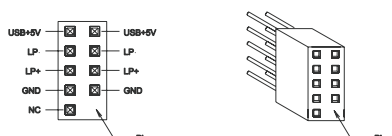
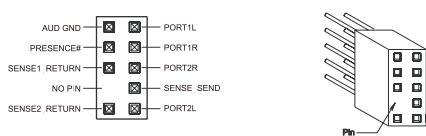
Fan Power Board ----- P.11

■ Information ----- P.12


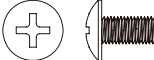




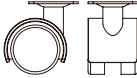

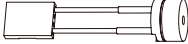



Disassemble Chart



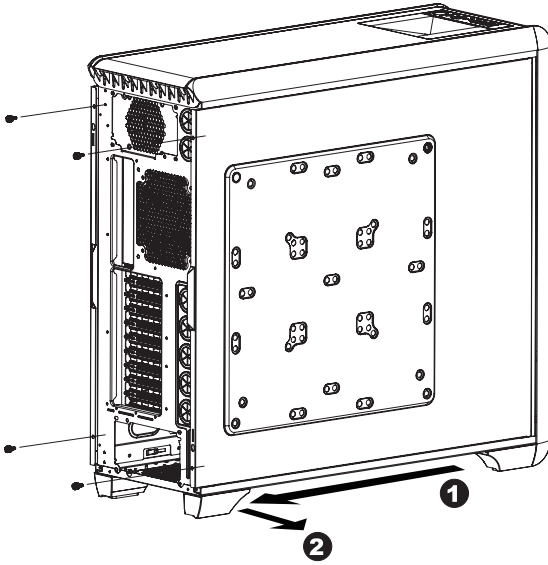
Front I/O Pin Define (Please refer to your motherboard's user's manual to connect.)

USB 3.0 CONNECTOR	AC97 CONNECTOR
 <p>Pin definitions for USB 3.0 connector:</p> <ul style="list-style-type: none"> 1: VBUS 2: SSRX1+ 3: SSRX1- 4: ground 5: SSTX1- 6: SSTX1+ 7: ground 8: D1+ 9: D1- 10: None 11: None 12: VBUS 13: SSRX2+ 14: SSRX2- 15: ground 16: SSTX2- 17: SSTX2+ 18: ground 19: D2+ 20: D2- 	 <p>Pin definitions for AC97 connector:</p> <ul style="list-style-type: none"> 1: M/C 2: AUD GND 3: RET-R 4: P-N 5: RET-L 6: M/C 7: M/C-B/AA 8: FPOUT-R 9: +5V 10: FPOUT-L
USB2.0 CONNECTOR	HD CONNECTOR
 <p>Pin definitions for USB2.0 connector:</p> <ul style="list-style-type: none"> 1: USB+5V 2: LP 3: LP+ 4: GND 5: NC 	 <p>Pin definitions for HD connector:</p> <ul style="list-style-type: none"> 1: AUD GND 2: PRESENCE# 3: SENSE1 RETURN 4: NO P-N 5: SENSE2 RETURN 6: PORT1L 7: PORT1R 8: PORT2R 9: SENSE SEND 10: PORT2L

Accessory Box

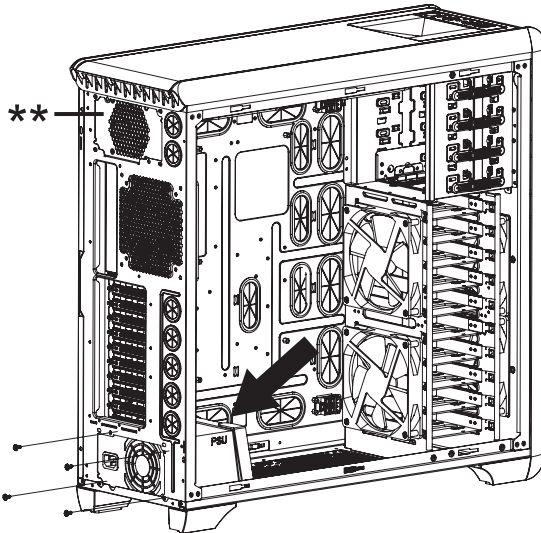
	24 x Screw A	Motherboard PSU
	16 x Screw B	Caster
	36 x Screw C	Fan
	40 x Screw C	2.5" HDD/SSD
	4 x Screw E	5.25" Device
	40 x Screw F	3.5" HDD/SSD
	2 x Caster	Case
	2 x Caster (with brake)	Case
	1 x PC SPEAKER	Motherboard
	5 x Cable tie	Cables
	2 x ATX/EPS12V Extension cable	ATX12V 4-pin EPS12V 8-pin
	1 x Stand-off socket	Motherboard Stand-off

1.



Unscrew to remove left and right panels.

2.



Place the power supply from the left side into the chassis and secure with screws.

NOTICE :

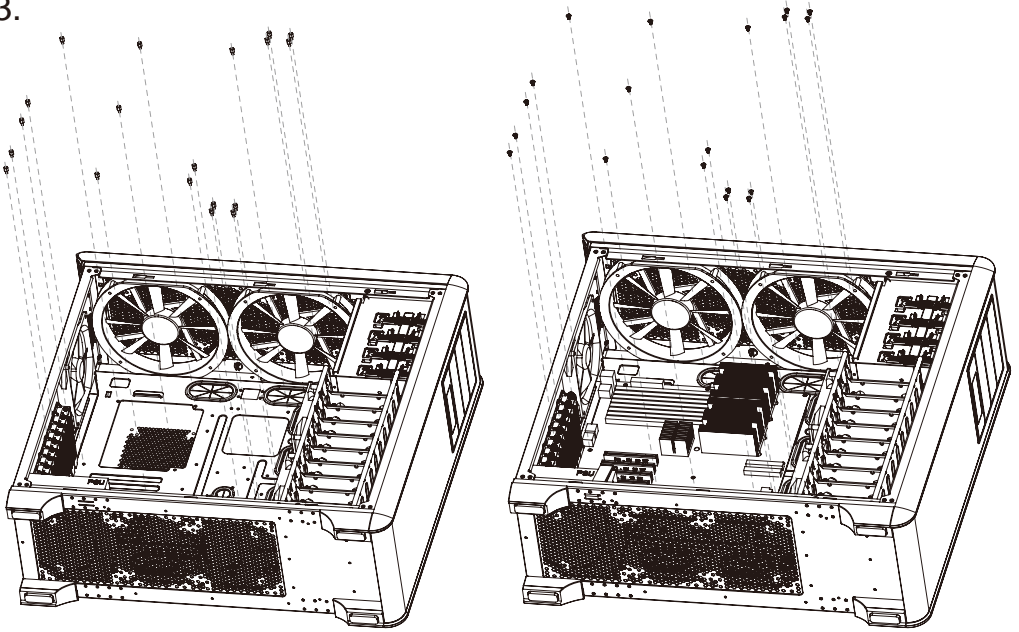
-If your power supply is equipped with single fan (120mm, 135mm or 140mm), please have the fan face to the bottom.

-Please remember to clean the PSU dust filter regularly or insufficient air intake may fail your power supply permanently.

**

Unscrew to remove this cover to install the secondary PSU if necessary.

3.

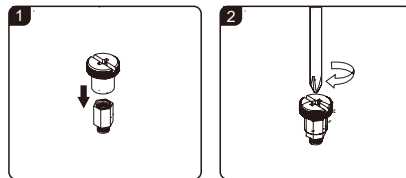


Motherboard stand-off position

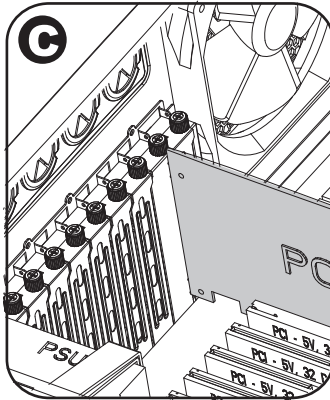
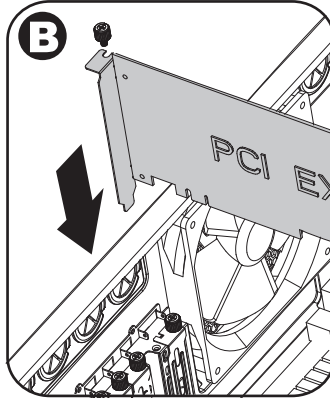
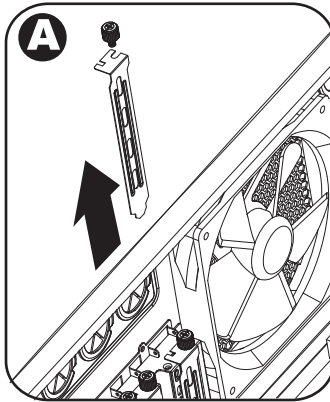
- M = Micro-ATX
- A = ATX
- E = Extended-ATX
- H = HPTX

- Install motherboard stand-offs according to your motherboard's form factor.
- Place the motherboard onto stand-offs and secure with screws.

* Install/Uninstall stand-offs by stand-off socket.

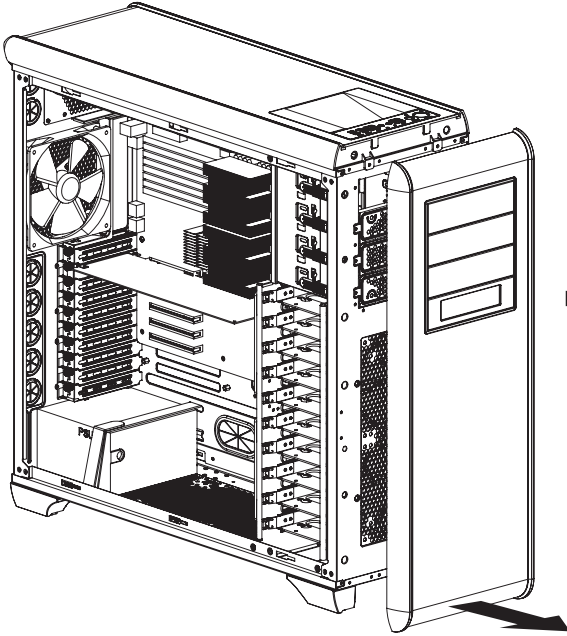


4.

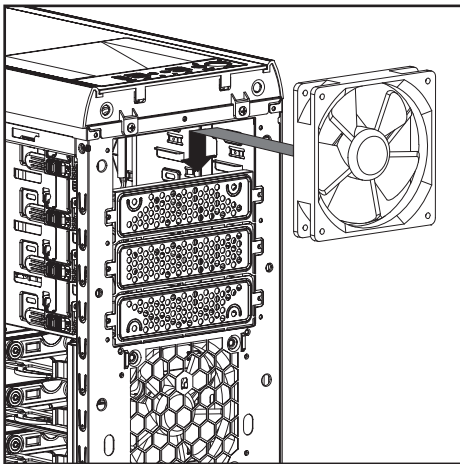


- Unscrew to remove slot cover.
- Install the add-on card into its position.
- Secure with thumb screw.

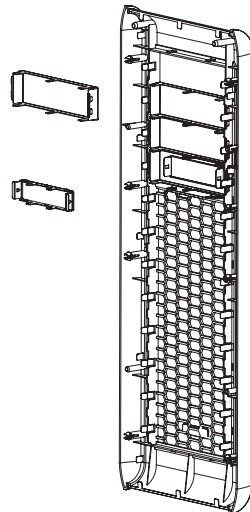
6.



Pull from the bottom to remove the front panel.

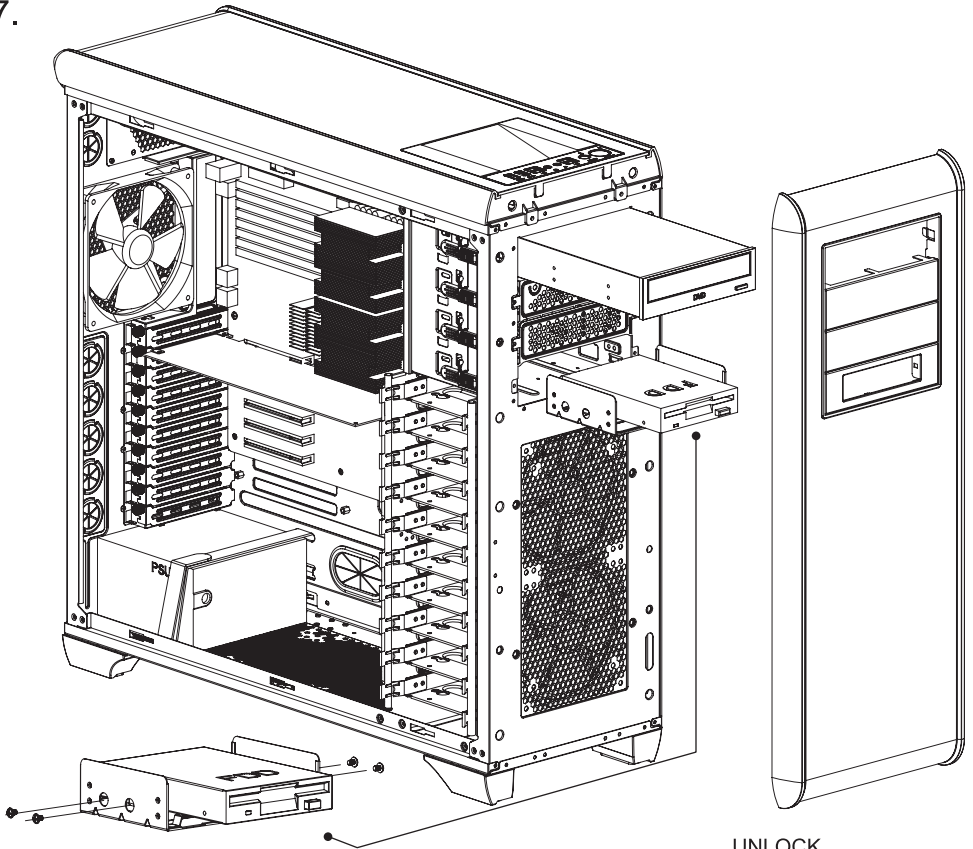


NOTE : If you use only one 5.25" bay, you can install one 120mm fan onto three 5.25" steel cover with screws.

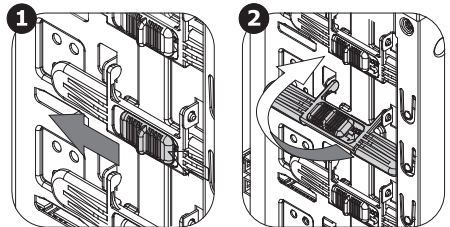


Confirm which bay(s) you want to install device(s) then remove the bay cover.

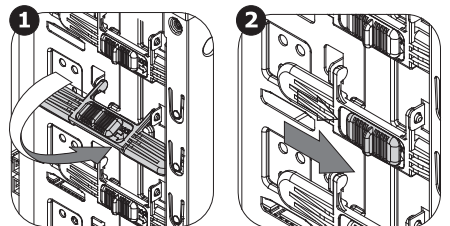
7.



UNLOCK



LOCK

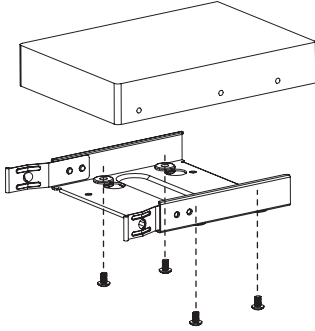


-Put external 3.5" device onto the 3.5" to 5.25" adapter then secure with screws.

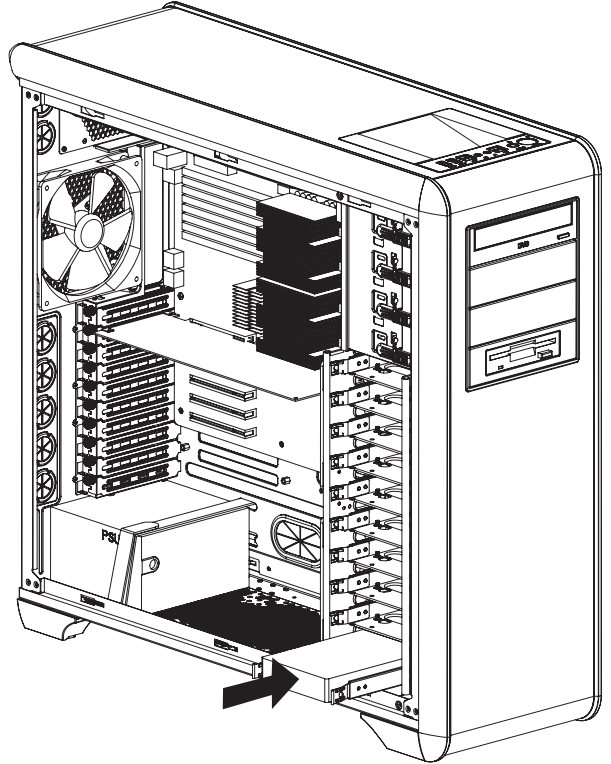
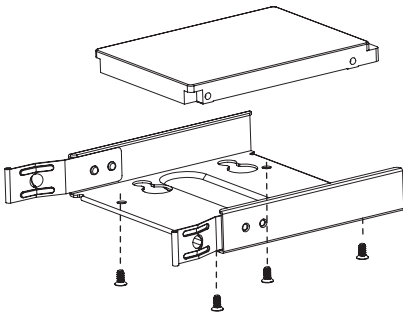
-Insert external 5.25" & 3.5 " devices into position then lock screw-less kits to secure them.

7.

3.5" HDD



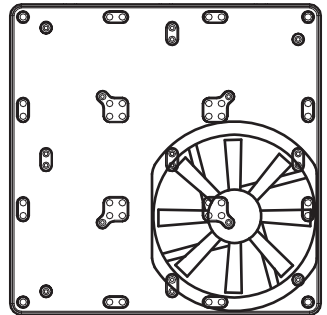
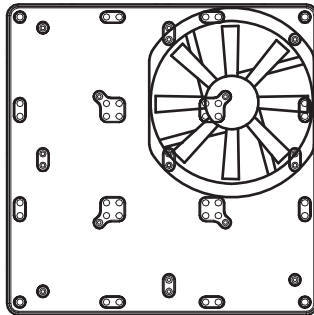
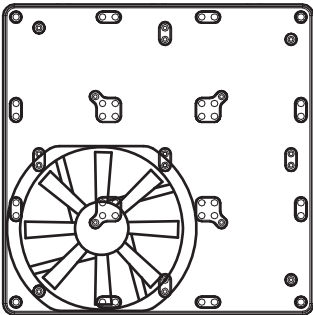
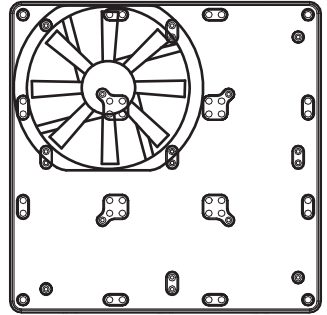
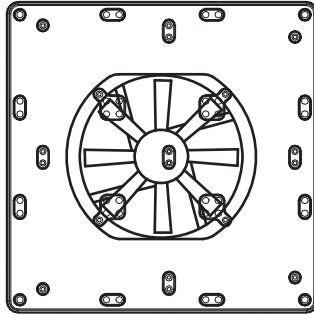
2.5" HDD/SSD



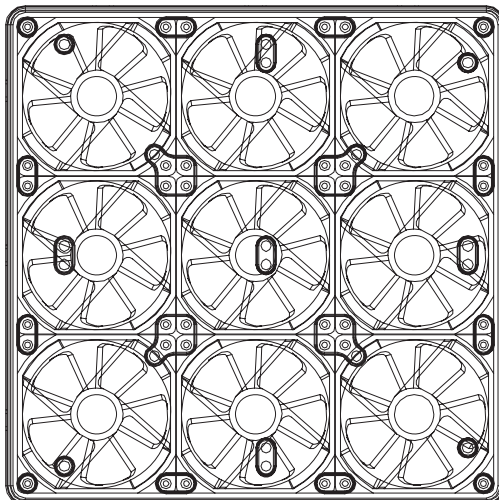
- Secure HDD onto the HDD tray with screws.
- Insert it into its slot and push to the bottom to secure.

8.

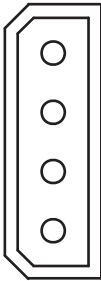
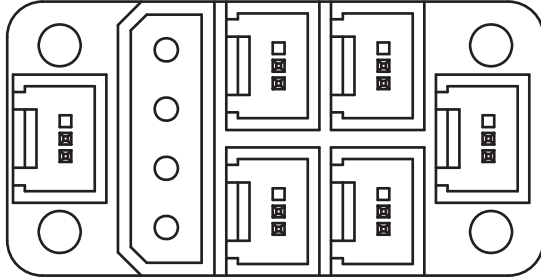
5 positions for side 230mm fan
Change the position according to your system.



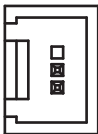
You can also use 120mm fans to replace the 230mm fan.
Support up to 9x 120mm fan



9.

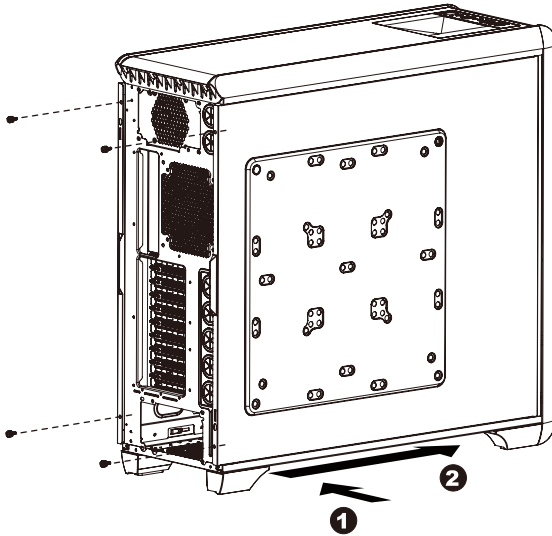


Get power from your power supply
-Connect power supply's molex 4-pin connector to this connector.



Deliver power to your fan
-Connect fan's 3-pin connector to this connector.

10.



Make sure all necessary cables and wires are connected, then reinstall side panels and secure with screws.

Thank you for purchasing a High-Quality Rosewill Product.

Please register your product at : <http://www.rosewill.com>
for complete warranty information and future support for your product.

If you have any question while using our products, please visit our website : www.rosewill.com
for latest driver & user manual or feel free to contact us.

Support Phone Number: 800-575-9885

Support Email: techsupport@rosewill.com

Rosewill[®]

www.rosewill.com